

*Aliaxis*



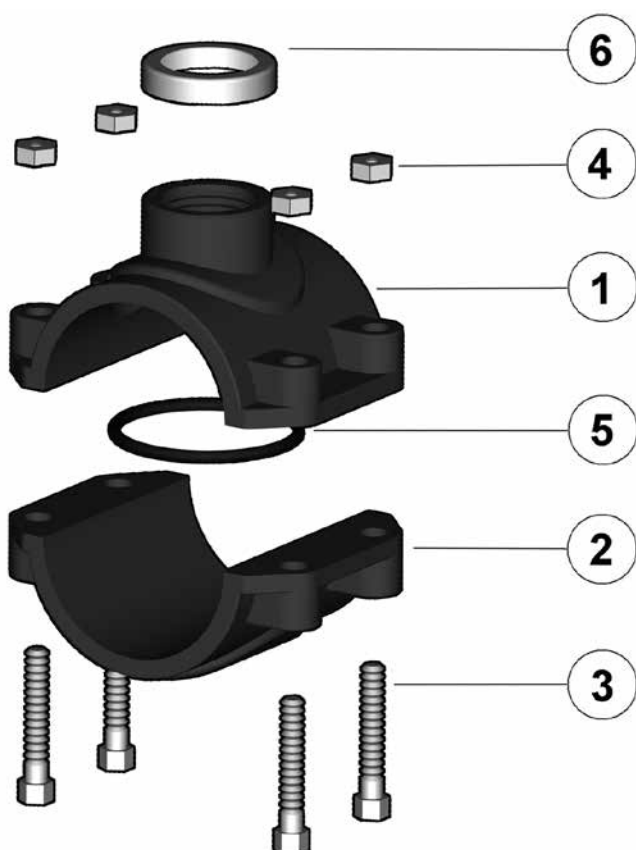
**505**  
חנב PP

## חנכ PP

- מבחר הסתעפויות מתוברגות בקטרים שבין 20 ועד 315 מ"מ, עם R 1/2" עד R 4"
- לחץ עבודה מקסימלי (PFA):  
 עד 10 bar "2x160 dxR,  
 עד 6 bar "4x200 dxR,  
 עד 4 bar "4x315 dxR
- חלק עליון ותחתון עשוי PP
- טבעת אטימה מ-NBR
- טבעת הידוק נירוסטה AISI 430
- התקנה על-ידי הברגה של 2/4/6 ברגים מפלדה בציפוי אבץ בהתאם לקוטר (אפשרות לבורגי נירוסטה לפי דרישה)

## רכיבים וחומרים

- 1 חלק עליון (PP)
- 2 חלק תחתון (PP)
- 3 ברגים (פלדה בציפוי אבץ)
- 4 אומים (פלדה בציפוי אבץ)
- 5 טבעת אטימה (NBR)
- 6 טבעת חיזוק (נירוסטה)



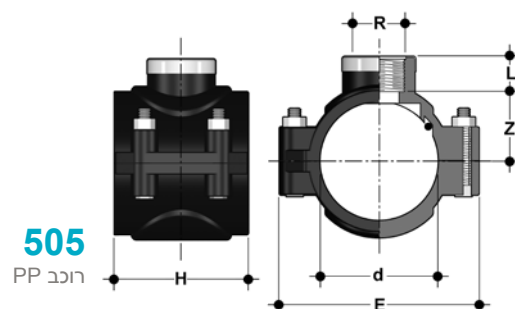
# נתונים טכניים

## לחץ עבודה

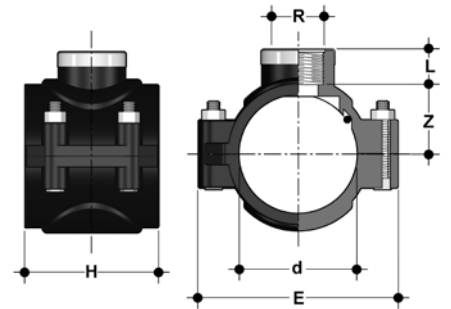
בטמפ' של 20° בהתאם ל-ISO 13460

4"	3"	2" 1/2	2"	1" 1/2	1" 1/4	1"	3/4"	1/2"	d X R
								10 bar	20
							10 bar	10 bar	25
						10 bar	10 bar	10 bar	32
						10 bar	10 bar	10 bar	40
						10 bar	10 bar	10 bar	50
				10 bar	10 bar	10 bar	10 bar	10 bar	63
			10 bar	10 bar	10 bar	10 bar	10 bar	10 bar	75
			10 bar	10 bar	10 bar	10 bar	10 bar	10 bar	90
	6 bar		10 bar	10 bar	10 bar	10 bar	10 bar	10 bar	110
			10 bar	10 bar	10 bar	10 bar	10 bar		125
	6 bar	6 bar	10 bar	10 bar	10 bar	10 bar			140
	6 bar		10 bar	10 bar	10 bar	10 bar	10 bar		160
6 bar	6 bar		6 bar	6 bar	6 bar				180
6 bar	6 bar		6 bar	6 bar	6 bar				200
4 bar	4 bar		4 bar	4 bar	4 bar				225
4 bar	4 bar		4 bar	4 bar	4 bar				250
4 bar	4 bar		4 bar	4 bar	4 bar				280
4 bar	4 bar		4 bar	4 bar	4 bar				315

# מידות



כמות בקופסה	קוד	g	Z	L	H	E	b	d x R
150	1S50520B00F	60	17	17.0	37.5	62	2 M6x35	20 x 1/2"
120	1S50525B00F	70	18.5	18.5	43.0	69	2 M6x35	25 x 1/2"
120	1S50525C00F	75	18.5	18.5	43.0	69	2 M6x35	25 x 3/4"
100	1S50532B00F	99	18.5	18.5	45.0	78	2 M8x45	32 x 1/2"
100	1S50532C00F	103	18.5	18.5	45.0	78	2 M8x45	32 x 3/4"
60	1S50532D00F	130	18.5	18.5	60.0	91	2 M8x45	32 x 1"
50	1S50540B00F	119	22.0	22.0	51.0	84	2 M8x45	40 x 1/2"
50	1S50540C00F	125	22.0	22.0	51.0	84	2 M8x45	40 x 3/4"
50	1S50540D00F	136	22.0	22.0	51.0	84	2 M8x45	40 x 1"
75	1S50550B00F	119	22.0	22.0	53.0	87	2 M8x45	50 x 1/2"
75	1S50550B00F	123	22.0	22.0	53.0	87	2 M8x45	50 x 3/4"
75	1S50550C00F	132	22.0	22.0	71.0	87	2 M8x45	50 x 1"
70	1S50563B00F	227	17.0	17.0	71.0	100	4 M8x50	63 x 1/2"
70	1S50563C00F	229	22.0	22.0	71.0	100	4 M8x50	63 x 3/4"
50	1S50563D00F	238	22.0	22.0	71.0	100	4 M8x50	63 x 1"
50	1S50563E00F	246	24.0	24.0	71.0	100	4 M8x50	63 x 1" 1/4
60	1S50563F00F	253	24.0	24.0	91.0	100	4 M8x50	63 x 1" 1/2
60	1S50575B00F	312	17.0	17.0	91.0	120	4 M8x50	75 x 1/2"
60	1S50575C00F	304	20.0	20.0	91.0	120	4 M8x50	75 x 3/4"
50	1S50575D00F	311	22.0	22.0	91.0	120	4 M8x50	75 x 1"
45	1S50575E00F	319	24.0	24.0	91.0	120	4 M8x50	75 x 1" 1/4
45	1S50575F00F	323	24.0	24.0	91.0	120	4 M8x50	75 x 1" 1/2
45	1S50575G00F	337	26.0	26.0	91.0	120	4 M8x50	75 x 2"
40	1S50590B00F	334	17.0	17.0	91.0	137	4 M8x60	90 x 1/2"
40	1S50590C00F	336	20.0	20.0	91.0	137	4 M8x60	90 x 3/4"
40	1S50590D00F	345	22.0	22.0	91.0	137	4 M8x60	90 x 1"
35	1S50590E00F	352	24.0	24.0	91.0	137	4 M8x60	90 x 1" 1/4
35	1S50590F00F	360	24.0	24.0	91.0	137	4 M8x60	90 x 1" 1/2
35	1S50590G00F	368	26.0	26.0	91.0	137	4 M8x60	90 x 2"
25	1S50511B00F	377	17.0	17.0	98.5	155	4 M8x60	110 x 2"
25	1S50511C00F	379	20.0	20.0	98.5	155	4 M8x60	110 x 3/4"
25	1S50511D00F	386	22.0	22.0	98.5	155	4 M8x60	110 x 1"
25	1S50511E00F	390	24.0	24.0	98.5	155	4 M8x60	110 x 1" 1/4
25	1S50511F00F	399	24.0	24.0	98.5	155	4 M8x60	110 x 1" 1/2
25	1S50511G00F	411	24.0	24.0	98.5	155	4 M8x60	110 x 2"
20	1S50511H00F	545	33.0	33.0	98.5	155	4 M8x60	110 x 3"
30	1S50513C00F	510	20.0	20.0	101.0	168	4 M8x60	125 x 3/4"
30	1S50513D00F	513	22.0	22.0	101.0	168	4 M8x60	125 x 1"
30	1S50513E00F	520	24.0	24.0	101.0	168	4 M8x60	125 x 1" 1/4
30	1S50513F00F	529	24.0	24.0	101.0	168	4 M8x60	125 x 1" 1/2
30	1S50513G00F	545	24.0	24.0	101.0	168	4 M8x60	125 x 2"
20	1S50515D00F	928	22.0	22.0	134.0	189	6 M8x60	140 x 1"
20	1S50515E00F	932	24.0	24.0	134.0	189	6 M8x60	140 x 1" 1/4
20	1S50515F00F	935	24.0	24.0	134.0	189	6 M8x60	140 x 1" 1/2



כמות בקופסה	קוד	g	Z	L	H	E	b	d x R
20	1S50515G00F	945	24.0	24.0	134	189	6 M8x60	140 x 2"
20	1S50515H00F	960	24.0	24.0	134	189	6 M8x60	140 x 2 1/2"
20	1S50515I00F	1010	33.0	33.0	134	189	6 M8x60	140 x 3"
16	1S50517C00F	1002	22.0	22.0	137	213	6 M8x60	160 x 3/4"
16	1S50517D00F	1005	22.0	22.0	137	213	6 M8x60	160 x 1"
16	1S50517E00F	1030	24.0	24.0	137	213	6 M8x60	160 x 1" 1/4
16	1S50517F00F	1043	24.0	24.0	137	213	6 M8x60	160 x 1" 1/2
16	1S50517G00F	1065	28.5	28.5	137	213	6 M8x60	160 x 2"
15	1S50517I00F	1150	36.0	36.0	137	213	6 M8x60	160 x 3"
8	1S50518E00	2310	24.0	24.0	171	265	6 M10x80	180 x 1" 1/4
8	1S50518F00	2330	24.0	24.0	171	265	6 M10x80	180 x 1/2"
8	1S50518G00	2390	24.0	24.0	171	265	6 M10x80	180 x 2"
8	1S50518I00	2470	33.0	33.0	171	265	6 M10x80	180 x 3"
8	1S50518L00	2590	42.0	42.0	171	265	6 M10x80	180 x 4"
8	1S50521E00	1970	24.0	24.0	171	265	6 M10x80	200 x 1" 1/4
8	1S50521F00	1885	24.0	24.0	171	265	6 M10x80	200 x 1" 1/2
8	1S50521G00	1910	24.0	24.0	171	265	6 M10x80	200 x 2"
8	1S50521I00	2010	33.0	33.0	171	265	6 M10x80	200 x 3"
8	1S50521L00	2130	42.0	42.0	171	265	6 M10x80	200 x 4"
7	1S50523E00	2060	24.0	24.0	173	280	6 M10x80	225 x 1" 1/4
7	1S50523F00	2080	24.0	24.0	173	280	6 M10x80	225 x 1" 1/2
7	1S50523G00	2105	24.0	24.0	173	280	6 M10x80	225 x 2"
7	1S50523I00	2230	33.0	33.0	173	280	6 M10x80	"225 x 3
7	1S50523L00	2350	42.0	42.0	173	280	6 M10x80	225 x 4"
7	1S50526E00	2530	24.0	24.0	181	313	6 M10x80	250 x 1" 1/4
7	1S50526F00	2550	24.0	24.0	181	313	6 M10x80	250 x 1" 1/2
7	1S50526G00	2580	24.0	24.0	181	313	6 M10x80	250 x 2"
7	1S50526I00	2670	33.0	33.0	181	313	6 M10x80	250 x 3"
6	1S50526L00	2790	42.0	42.0	181	313	6 M10x80	250 x 4"
3	1S50528E00	4000	24.0	24.0	190	385	6 M10x80	280 x 1" 1/4
3	1S50528F00	4020	24.0	24.0	190	385	6 M10x80	280 x 1" 1/2
3	1S50528G00	4050	24.0	24.0	190	385	6 M10x80	280 x 2"
3	1S50528I00	4130	33.0	33.0	190	385	6 M10x80	280 x 3"
3	1S50528L00	4250	42.0	42.0	190	385	6 M10x80	280 x 4"
4	1S50533E00	3055	24.0	24.0	190	385	6 M10x80	315 x 1" 1/4
4	1S50533F00	3070	24.0	24.0	190	385	6 M10x80	315 x 1" 1/2
4	1S50533G00	3100	24.0	24.0	190	385	6 M10x80	315 x 2"
4	1S50533I00	3220	33.0	33.0	190	385	6 M10x80	315 x 3"
4	1S50533L00	3350	42.0	42.0	190	385	6 M10x80	315 x 4"













LHE3GSYSTEM ת"ר



Distributed in Israel by:

אלכסנדרוביץ'  
ALEXANDROVITZ

An Emilia Development Company

[www.alexandrovitz.co.il](http://www.alexandrovitz.co.il)

Alexandrovitz Engineering Plastics & Rubber  
Kaman (2005) Ltd

אלכסנדרוביץ פלסטיקה הנדסית וגומי-קמ"ן (2005) בע"מ

Kibbutz Tzora 9980300

p.o.b 806 Beit Shemesh, Israel

T. +972-2-99991111 טל

F. +972-2-9993420 פקס

קיבוץ צרעה 9980300 ת.ד. 806 בית שמש

[sales@alexandrovitz.co.il](mailto:sales@alexandrovitz.co.il)

*Aliaxis*

**FIP Formatura Iniezione Polimeri**

Loc. Pian di Parata, 16015 Casella Genova Italy

טל. +39 010 9621.1

פקס +39 010 9621.209

[info.fip@aliaxis.com](mailto:info.fip@aliaxis.com)

[www.fipnet.com](http://www.fipnet.com)

